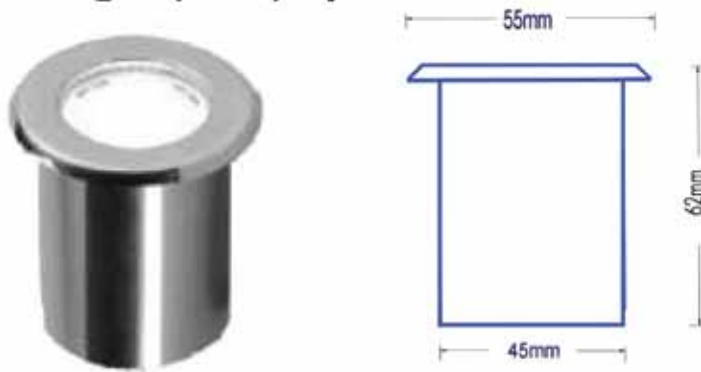




Colonnade Light (ULC) Specification Sheet



Specification

Housing:

316- marine grade stainless steel

Lens:

6mm Toughened Lens

Lamp:

1-Watt Luxeon™. Available in - with a 6, 30 or 45 degree beam width

Cabling:

One one-metre cable attached

Warranty:

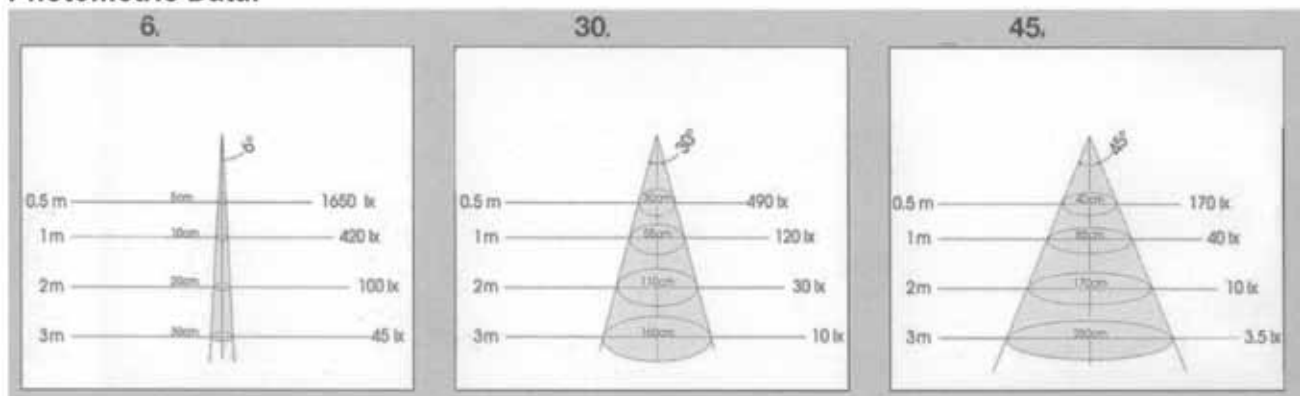
24 months from date of purchase

Certification:

IP67 Connectors (male-female 3 pin)

CE Approved

RoHS Compliant

Photometric Data:



		Red	Amber	Blue	Green	White
<i>Nominal current</i>	MA	350	350	350	350	350
<i>Max power</i>	W	1,2	1,2	1,4	1,4	1,4
<i>Max voltage</i>	V	3,3	3,3	4	4	4
<i>Average luminous flux</i>	Lumen	25	20	5	25	23,5
<i>Lighting angle</i>	°	6/30/45	6/30/45	6/30/45	6/30/45	6/30/45
<i>Approximate wavelength</i>	Nm	625	590	455	530	BC>3200K B>5000K BB>6000K

Data Supplied by Luxeon™

Installation Instructions

Installing into a UniLED Deck Light System

Connect the light fitting to a 350mA Adaptor and connect in-line to the UniLED Deck light system.

Connect to Colonnade Light Fitting
One light ONLY to run from Adaptor

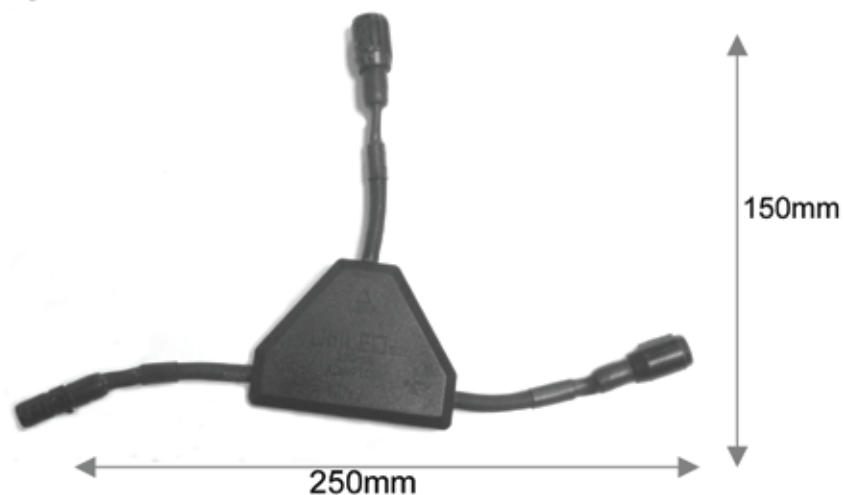


Connect to Deck Light→

← Connect to Deck Light



350ma Adapter



Specification

The New 350ma Adapter is a small switch-mode power supply which fits in-line to allow one Colonnade, Spike or Pivot light to be added to the UniLED™ Deck Light System.

One 350ma Adapter must be used for each Colonnade, Spike or Pivot light being installed

Warranty:

24 months from date of purchase

Certification:

IP67 Body
IP67 Connectors
CE Approved
RoHS Compliant